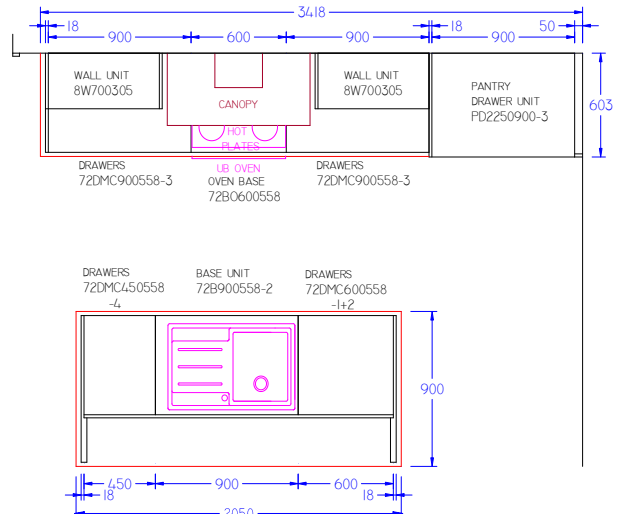


KITCHEN KITS

Flat Pack Carcase System



www.sup-ply.com

55-59 DON ROAD (PO BOX 347) DEVONPORT

PH: 03 6424 7266 EMAIL: kitchens@sup-ply.com

ABN 30 087 759 831

Welcome to Supply, we are a locally owned & operated business since 1975, specialising in Building, Renovating & Joinery supplies. We are a dedicated team with many years of experience & individual service requirements.

Kitchen Kits

Kitchen Kits are a ready to assemble cabinet carcass system with a large range giving greater design flexibility.

Kitchen Kit features

- Manufactured in Australia
- Australian made 16mm MR whiteboard with 1mm ABS edging
- Pre-drilled for all hardware
- Cam lock connecting system for easy assembly
- German quality Hettich soft close hinges & cam adjustable plates
- Alto full extension soft closing drawers with metal sides 84mm 135mm 199mm high
- Adjustable legs to base cabinets (110mm to 150mm high)
- All kits individually packed
- Kits are designed to be used in various applications

Hardware

All kits come complete with an assembly pack, comprising cam lock connectors, shelf supports, bench top connectors & screws to assemble each individual cabinet.

Note: some additional screws & fittings may be required for complete installation.

Doors, Drawer fronts & Panels

Choose from Polytec ranges of vinyl or melamine & Laminex ranges of melamine.

Note: Doors can be supplied with hinge holes.

Benchtops (made to measure)

Choose from over 600 laminate colours in Gloss or Matt finishes. All laminate tops supplied with post form edges, ends & joins with bolts supplied.

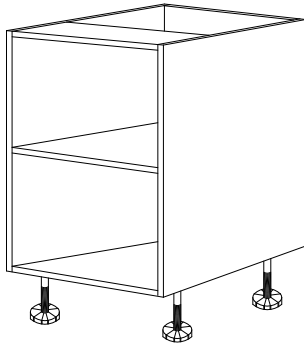
Contents

Page No.

Base units & Oven units	3
Corner base units	4
Drawer units	5
Wall Oven base units	6
Single door Overheads	7
Corner wall units & Fridge cabinets	8
2 door Wall units	9
Microwave & Appliance cabinets	10
Pantry & Broom cupboards	11
Walk in corner Pantry	12

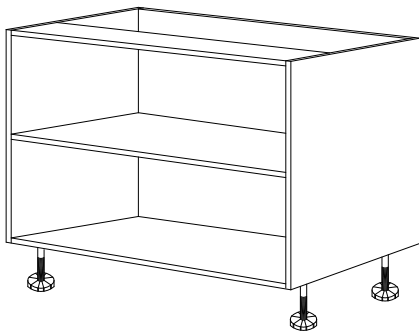
Note: we stock 33 of the most used cabinets (see ** on following pages)

BASE UNITS 1 DOOR



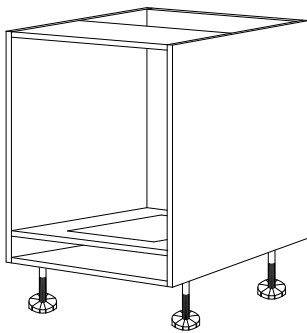
CODE	CABINET	H	W	D
** 876880	72B300558	720	300	558
** 876881	72B400558	720	400	558
** 876882	72B450558	720	450	558
** 876883	72B500558	720	500	558
876884	72B600558	720	600	558

BASE UNITS 2 DOOR



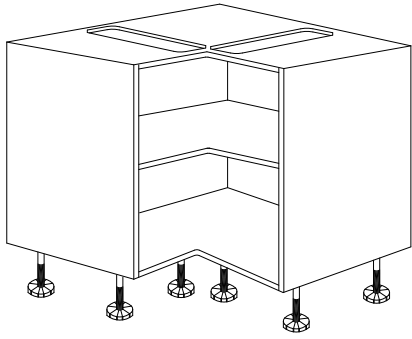
CODE	CABINET	H	W	D
** 876971	72B600558-2	720	600	558
** 876885	72B700558-2	720	700	558
** 876886	72B800558-2	720	800	558
** 876887	72B900558-2	720	900	558
** 876888	72B1000558-2	720	1000	558
876889	72B1100558-2	720	1100	558
876890	72B1200558-2	720	1200	558

BASE OVEN UNITS



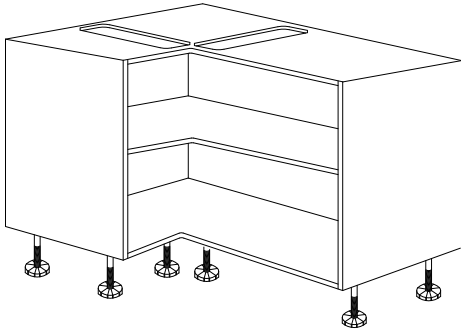
CODE	CABINET	H	W	D
** 876969	72BO600558	720	600	558
876970	72BO900558	720	900	558

CORNER BASE UNITS



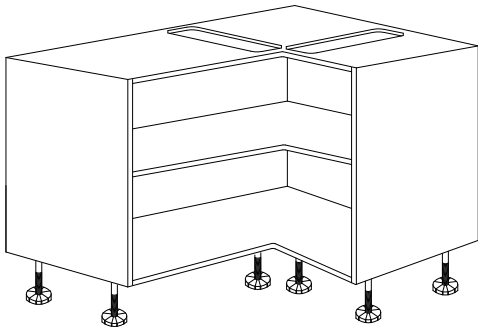
CODE	CABINET	H	W	D
------	---------	---	---	---

** 876913 72CB900 720 900X900 558



CODE	CABINET	H	W	D
------	---------	---	---	---

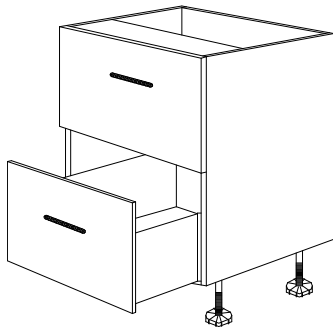
876914 72CB900X1200R 720 900X1200 558



CODE	CABINET	H	W	D
------	---------	---	---	---

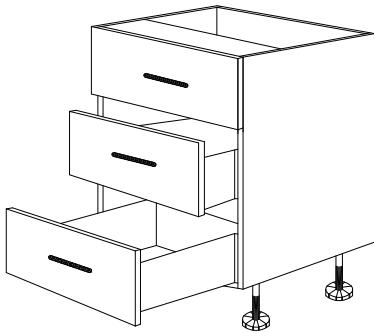
876915 72CB900X1200L 720 900X1200 558

DRAWER UNIT 2 DRAWER



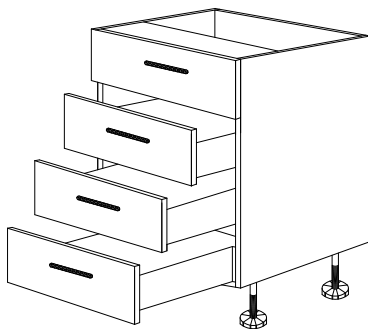
CODE	CABINET	H	W	D
876918	72DMC500558-2	720	500	558
876919	72DMC600558-2	720	600	558
876920	72DMC700558-2	720	700	558
876921	72DMC800558-2	720	800	558
876922	72DMC900558-2	720	900	558

DRAWER UNIT 3 DRAWER



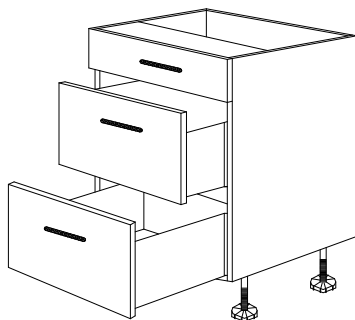
CODE	CABINET	H	W	D
876929	72DMC500558-3	720	500	558
** 876930	72DMC600558-3	720	600	558
** 876931	72DMC700558-3	720	700	558
** 876932	72DMC800558-3	720	800	558
** 876933	72DMC900558-3	720	900	558

DRAWER UNIT 4 DRAWER



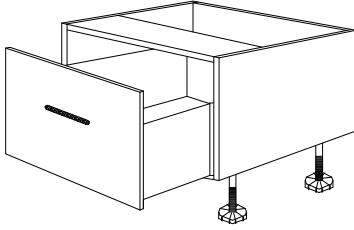
CODE	CABINET	H	W	D
** 876939	72DMC450558-4	720	450	558
876940	72DMC500558-4	720	500	558
** 876941	72DMC600558-4	720	600	558
876942	72DMC700558-4	720	700	558
876943	72DMC800558-4	720	800	558
876944	72DMC900558-4	720	900	558

DRAWER UNIT 1 SMALL + 2 LARGE



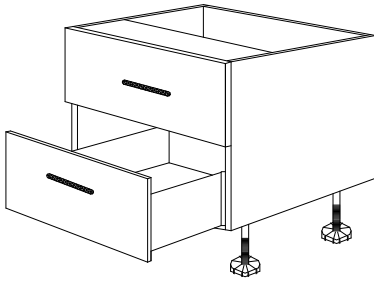
CODE	CABINET	H	W	D
** 876955	72DMC450558-1+2	720	450	558
876956	72DMC500558-1+2	720	500	558
** 876957	72DMC600558-1+2	720	600	558
876958	72DMC700558-1+2	720	700	558
** 876959	72DMC800558-1+2	720	800	558
** 876960	72DMC900558-1+2	720	900	558

WALL OVEN BASE UNIT 1 DRAWER



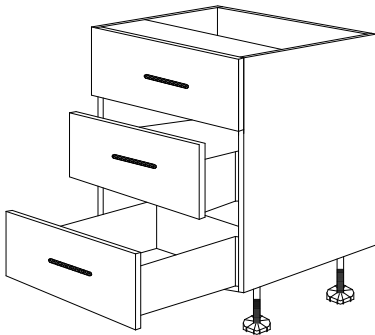
CODE	CABINET	H	W	D
870511	WOB370600	370	600	578
870512	WOB370900	370	900	578

WALL OVEN BASE 2 DRAWER



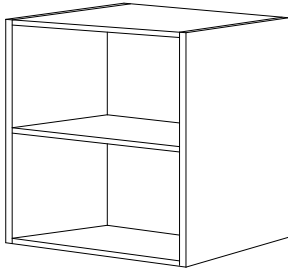
CODE	CABINET	H	W	D
** 870513	WOB470600	470	600	578
870514	WOB470900	470	900	578

WALL OVEN BASE 3 DRAWER



CODE	CABINET	H	W	D
876878	WOB720600	720	600	578
876879	WOB720900	720	900	578

WALL UNIT 1 DOOR

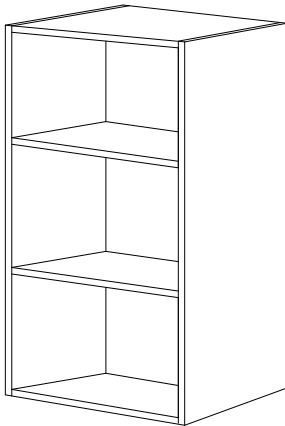


CODE	CABINET	H	W	D
870348	4W300305	495	300	305
870349	4W400305	495	400	305
870350	4W450305	495	450	305
870351	4W500305	495	500	305
870352	4W600305	495	600	305

870353	5W300305	545	300	305
870354	5W400305	545	400	305
870355	5W450305	545	450	305
870356	5W500305	545	500	305
870357	5W600305	545	600	305

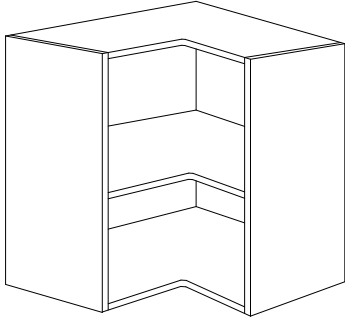
870358	6W300305	695	300	305
870359	6W400305	695	400	305
870360	6W450305	695	450	305
870361	6W500305	695	500	305
870362	6W600305	695	600	305

870363	7W300305	745	300	305
** 870364	7W400305	745	400	305
** 870365	7W450305	745	450	305
870366	7W500305	745	500	305
870367	7W600305	745	600	305



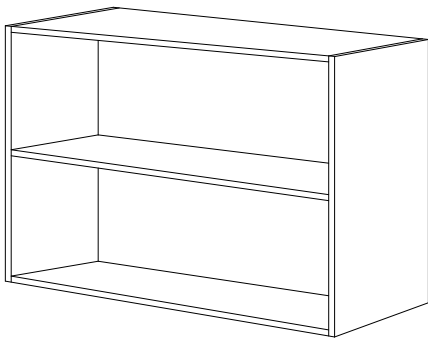
870368	8W300305	845	300	305
870375	8W400305	845	400	305
870376	8W450305	845	450	305
870377	8W500305	845	500	305
870378	8W600305	845	600	305

CORNER WALL UNIT



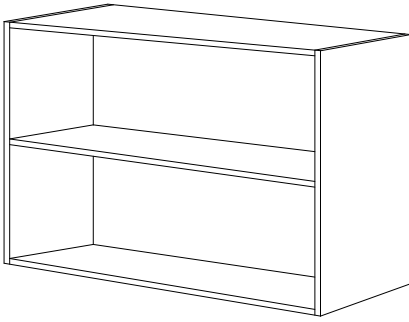
CODE	CABINET	H	W	D
870436	4CW600X600305	495	600X600	305
870437	5CW600X600305	545	600X600	305
870438	6CW600X600305	695	600X600	305
870439	7CW600X600305	745	600X600	305
870440	8CW600X600305	845	600X600	305

FRIDGE CABINETS



CODE	CABINET	H	W	D
870442	3FC600305	345	600	305
870443	3FC900305	345	900	305
870444	3FC1000305	345	1000	305
870445	4FC600305	445	600	305
870446	4FC900305	445	900	305
870447	4FC1000305	445	1000	305
870448	5FC600305	595	600	305
870449	5FC900305	595	900	305
870450	5FC1000305	595	1000	305
870451	6FC600305	645	600	305
870452	6FC900305	645	900	305
870453	6FC1000305	645	1000	305

WALL UNIT 2 DOOR



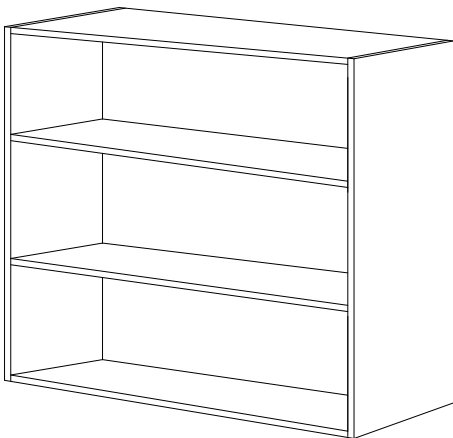
CODE	CABINET	H	W	D
------	---------	---	---	---

** 870384	4W600305-2	495	600	305
870385	4W700305	495	700	305
870386	4W800305	495	800	305
870387	4W900305	495	900	305
870388	4W1000305	495	1000	305
870389	4W1100305	495	1100	305
870390	4W1200305	495	1200	305

870391	5W600305-2	545	600	305
870392	5W700305	545	700	305
870394	5W800305	545	800	305
870395	5W900305	545	900	305
870396	5W1000305	545	1000	305
870397	5W1100305	545	1100	305
870401	5W1200305	545	1200	305

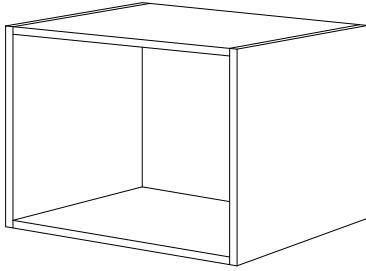
870402	6W600305-2	695	600	305
870403	6W700305	695	700	305
870404	6W800305	695	800	305
870405	6W900305	695	900	305
870406	6W1000305	695	1000	305
870407	6W1100305	695	1100	305
870408	6W1200305	695	1200	305

** 870409	7W600305-2	745	600	305
870410	7W700305	745	700	305
** 870411	7W800305	745	800	305
** 870412	7W900305	745	900	305
870413	7W1000305	745	1000	305
870414	7W1100305	745	1100	305
870415	7W1200305	745	1200	305



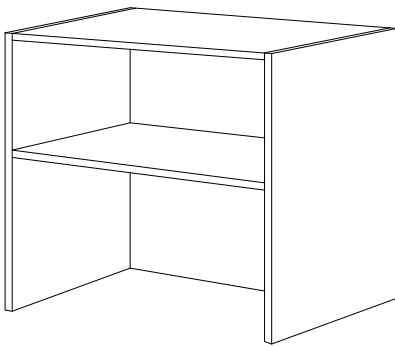
870416	8W600305-2	845	600	305
870417	8W700305	845	700	305
870418	8W800305	845	800	305
870419	8W900305	845	900	305
870420	8W1000305	845	1000	305
870421	8W1100305	845	1100	305
870422	8W1200305	845	1200	305

MICROWAVE UNIT



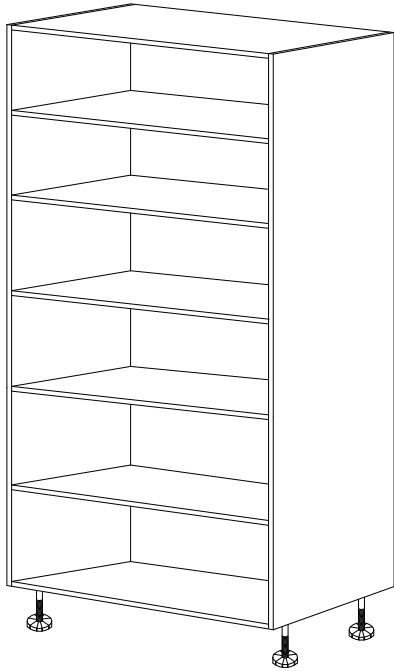
CODE	CABINET	H	W	D
** 881147	MW600448	415	600	448
881148	MW900448	415	900	448

APPLIANCE BASE CABINET



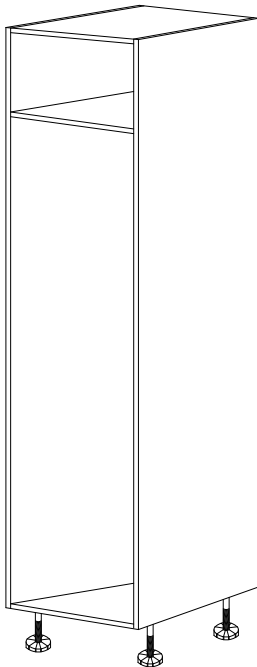
CODE	CABINET	H	W	D
870487	AC450600448	450	600	448
870488	AC450700448	450	700	448
870489	AC450800448	450	800	448
870490	AC600600448	600	600	448
870491	AC600700448	600	700	448
870492	AC600800448	600	800	448

PANTRY CABINET



CODE	CABINET	H	W	D
870457	P1950450	1950	450	578
870458	P1950500	1950	500	578
870459	P1950600	1950	600	578
870460	P1950700	1950	700	578
870461	P1950800	1950	800	578
870462	P1950900	1950	900	578
** 870463	P2100450	2100	450	578
870464	P2100500	2100	500	578
** 870465	P2100600	2100	600	578
870466	P2100700	2100	700	578
** 870467	P2100800	2100	800	578
** 870468	P2100900	2100	900	578
870469	P2250450	2250	450	578
870470	P2250500	2250	500	578
870471	P2250600	2250	600	578
870472	P2250700	2250	700	578
870473	P2250800	2250	800	578
870474	P2250900	2250	900	578

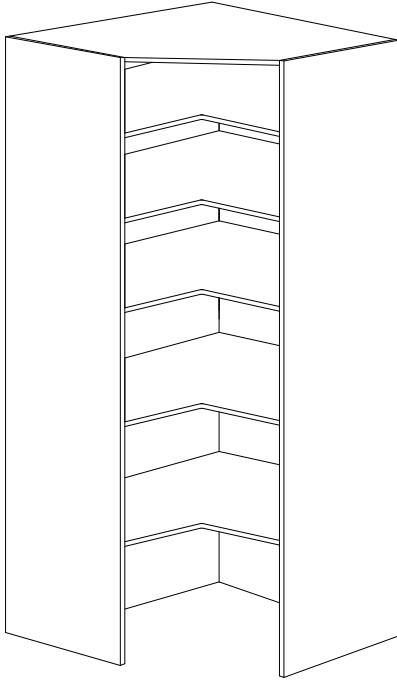
BROOM CABINET



CODE	CABINET	H	W	D
875657	MP1950300BR	1950	300	578
875658	MP1950450BR	1950	450	578
875659	MP2100300BR	2100	300	578
** 875660	MP2100450BR	2100	450	578
875661	MP2250300BR	2250	300	578
875662	MP2250450BR	2250	450	578

CORNER WALK IN PANTRY

CODE	CABINET	H	W	D
870484	WIP21001000X1000	2100	1000X1000	578
** 870485	WIP22501000X1000	2250	1000X1000	578
870486	WIP24001000X1000	2400	578	



END PANEL TO PANTRY
MUST BE FITTED 14MM
PAST WHITE CARCASE
END AS THIS DETAIL

