

HÄFELE

ALFRESCO KITCHEN RANGE



CUCINA APERTO RANGE



CA 1
2502 x 640 x 920 WxDxH(mm)

PAGE
04



OUTDOOR CANOPY

PAGE
09



CA 2
3138 x 640 x 920 WxDxH(mm)

PAGE
04



6 BURNER BBQ

PAGE
09



CA 3
3138 x 640 x 920 WxDxH(mm)

PAGE
05



BEVERAGE FRIDGE

PAGE
09



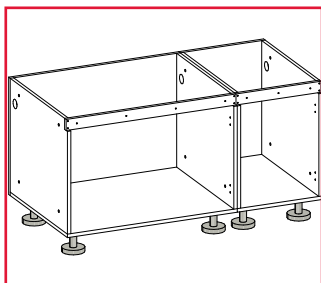
CA 4
3774 x 640 x 920 WxDxH(mm)

PAGE
05



SINK + TAP

PAGE
10



CUSTOMISE TO SUIT YOUR SPACE

PAGE
06-08



WASTE BIN + CLEANING AGENT

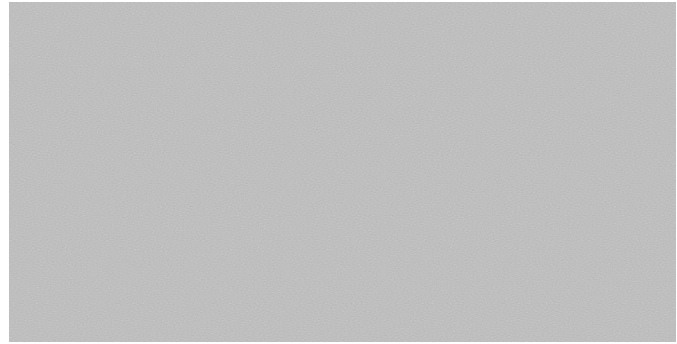
PAGE
10

COLOUR RANGE

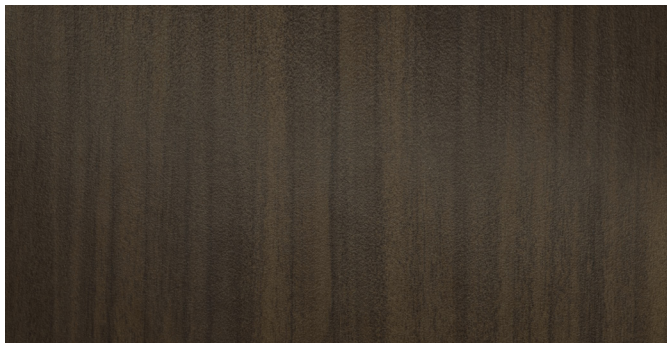
COMPACT LAMINATE DOOR AND DRAWER FRONT COLOUR RANGE



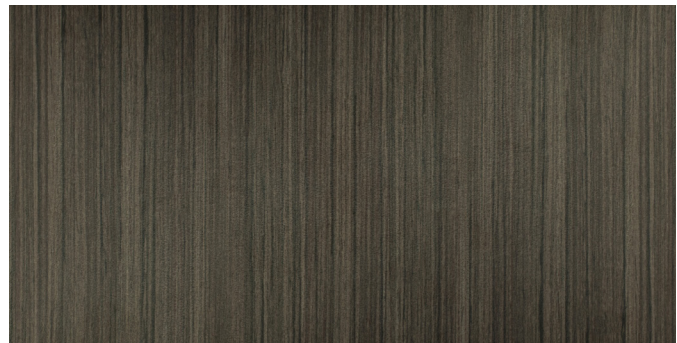
VINTAGE WHITE



CLOUD



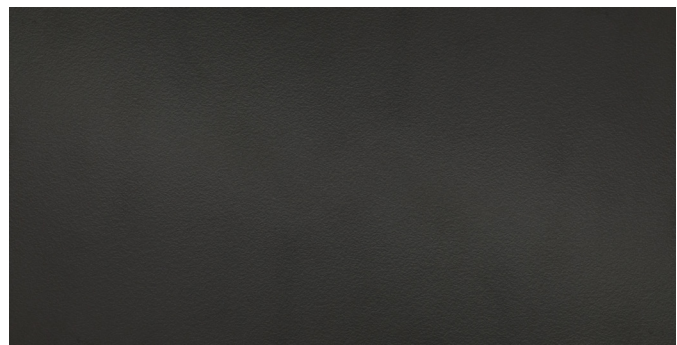
CHESTNUT



GREYWOOD



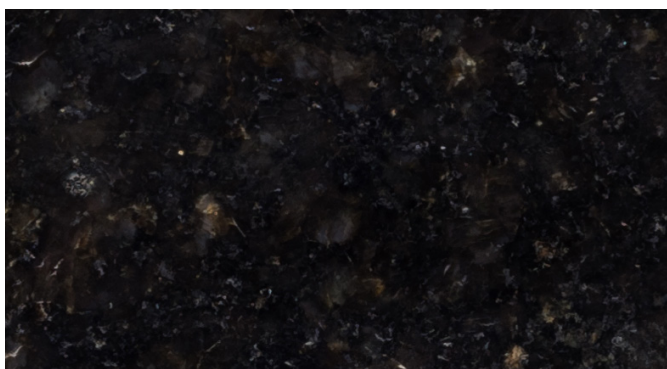
BRUSHED METAL



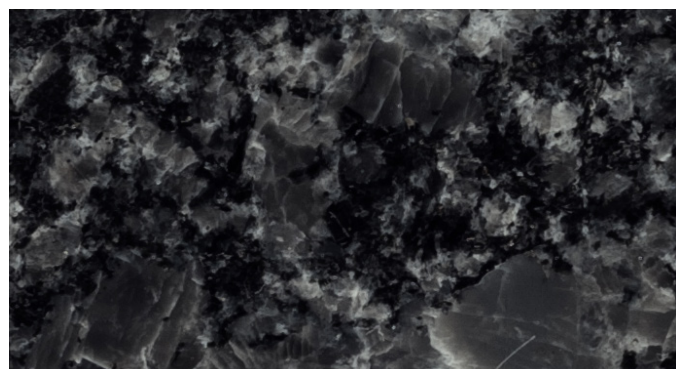
MIDNIGHT

* Kickboards are supplied in Brushed Metal only.

GRANITE BENCHTOPS AND SLAB ENDS



BLACK PEARL



STEEL GREY

* Colours may vary to actual product due to the printing process.
Always check a physical sample before ordering.

Dimensions in mm Dimensional data not binding. We reserve the right to alter specifications without notice.

CA 1



GREYWOOD

- > Features: 2 Door Cabinet
3 Door BBQ Cabinet
2 Door Gas Bottle Cabinet
- > Kitchen Width (mm): 2502

COMPLETE SET WITHOUT SINK AND TAP

Door Colour	Black Pearl Granite Benchtops and Slab Ends	Steel Grey Granite Benchtops and Slab Ends
Cloud	561.06.000	561.06.022
Vintage White	561.06.006	561.06.026
Midnight	561.06.020	561.06.032
Greywood	561.06.008	561.06.028
Brushed Metal	561.06.004	561.06.024
Chestnut	561.06.011	561.06.030


Packing: 1 Piece


-  **Supplied with:**
> Brushed metal kickboard

COMPLETE SET WITH LEFT/ RIGHT HAND SINK AND TAP

Door Colour	Black Pearl Granite Benchtops and Slab Ends	Steel Grey Granite Benchtops and Slab Ends
Cloud	561.06.002	561.06.023
Vintage White	561.06.007	561.06.027
Midnight	561.06.021	561.06.033
Greywood	561.06.010	561.06.029
Brushed Metal	561.06.005	561.06.025
Chestnut	561.06.019	561.06.031

Packing: 1 Piece

-  **Supplied with:**
> Brushed metal kickboard

-  **Note:**
Barbeque depicted is for illustrative purposes. Refer to page 9 for Barbeque Specifications.

CA 2



MIDNIGHT

- > Features: 2 Door Cabinet
2 Door Gas Bottle Cabinet
3 Door BBQ Cabinet
3 Drawer Cabinet
- > Kitchen Width (mm): 3138

COMPLETE SET WITHOUT SINK AND TAP

Door and Drawer Front Colour	Black Pearl Granite Benchtops and Slab Ends	Steel Grey Granite Benchtops and Slab Ends
Cloud	561.07.000	561.07.021
Vintage White	561.07.010	561.07.031
Midnight	561.07.016	561.07.044
Greywood	561.07.012	561.07.040
Brushed Metal	561.07.002	561.07.023
Chestnut	561.07.014	561.07.042

Packing: 1 Piece


-  **Supplied with:**
> Brushed metal kickboard

COMPLETE SET WITH LEFT HAND SINK AND TAP

Door and Drawer Front Colour	Black Pearl Granite Benchtops and Slab Ends	Steel Grey Granite Benchtops and Slab Ends
Cloud	561.07.001	561.07.022
Vintage White	561.07.011	561.07.032
Midnight	561.07.020	561.07.050
Greywood	561.07.013	561.07.041
Brushed Metal	561.07.003	561.07.030
Chestnut	561.07.015	561.07.043

Packing: 1 Piece

-  **Supplied with:**
> Brushed metal kickboard

-  **Note:**
Barbeque depicted is for illustrative purposes. Refer to page 9 for Barbeque Specifications.

Dimensions in mm Dimensional data not binding. We reserve the right to alter specifications without notice.

CA 3



CLOUD

- > Features: 3 Drawer Cabinet
3 Door BBQ Cabinet
2 Door Gas Bottle Cabinet
Fridge Cabinet
- > Kitchen Width (mm): 3138

COMPLETE SET WITHOUT SINK AND TAP

Door and Drawer Front Colour	Black Pearl Granite Benchtops and Slab Ends	Steel Grey Granite Benchtops and Slab Ends
Cloud	561.05.100	561.05.160
Vintage White	561.05.120	561.05.162
Midnight	561.05.150	561.05.199
Greywood	561.05.130	561.05.163
Brushed Metal	561.05.110	561.05.161
Chestnut	561.05.140	561.05.180

Packing: 1 Piece



- Supplied with:**
> Brushed metal kickboard



Note:
Barbeque, Beverage Fridge and Outdoor Canopy rangehood depicted is for illustrative purposes. Refer Page 9 for Appliance Specifications.

CA 4



VINTAGE WHITE

- > Features: 2 Door Cabinet
3 Drawer Cabinet
3 Door BBQ Cabinet
2 Door Gas Bottle Cabinet
Fridge Cabinet
- > Kitchen Width (mm): 3774

COMPLETE SET WITHOUT SINK AND TAP

Door and Drawer Front Colour	Black Pearl Granite Benchtops and Slab Ends	Steel Grey Granite Benchtops and Slab Ends
Cloud	561.07.051	561.07.074
Vintage White	561.07.055	561.07.078
Midnight	561.07.072	561.07.101
Greywood	561.07.057	561.07.080
Brushed Metal	561.07.053	561.07.076
Chestnut	561.07.070	561.07.083

Packing: 1 Piece



- Supplied with:**
> Brushed metal kickboard

COMPLETE SET WITH LEFT HAND SINK AND TAP

Door and Drawer Front Colour	Black Pearl Granite Benchtops and Slab Ends	Steel Grey Granite Benchtops and Slab Ends
Cloud	561.07.052	561.07.075
Vintage White	561.07.056	561.07.079
Midnight	561.07.073	561.07.102
Greywood	561.07.058	561.07.081
Brushed Metal	561.07.054	561.07.077
Chestnut	561.07.071	561.07.100

Packing: 1 Piece

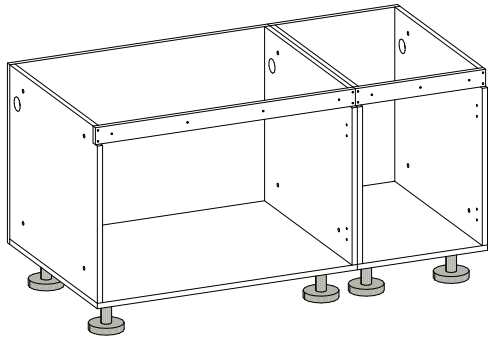


- Supplied with:**
> Brushed metal kickboard



Note:
Barbeque and Beverage Fridge depicted is for illustrative purposes. Refer Page 9 for Appliance Specifications

BBQ CABINET



- > Material: White PVC foam filled carcass with white PVC edging
- > Dimensions (mm): 1190 (1x793,1x397) x 630 x 625 (WxHxD)

	Cat. No.
	561.05.913

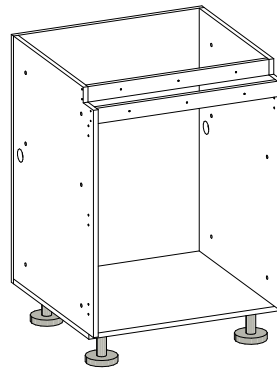
Packing: 1 Piece

COMPACT LAMINATE DOORS AND RAILS TO SUIT BBQ CABINET

Colour	Cat. No.
Cloud	564.23.312
Vintage White	564.23.512
Brushed Metal	564.29.012
Midnight	564.29.511
Greywood	564.27.812
Chestnut	564.27.912

Packing: 1 Set (3 x Doors, 2 x Rails)

GAS BOTTLE CABINET



- > Material: White PVC foam filled carcass with white PVC edging
- > Dimensions (mm): 636 x 900 x 625 (WxHxD)

	Cat. No.
	561.05.914

Packing: 1 Piece

COMPACT LAMINATE DOORS AND RAILS TO SUIT GAS BOTTLE CABINET

Colour	Cat. No.
Cloud	564.23.313
Vintage White	564.23.513
Brushed Metal	564.29.013
Midnight	564.29.512
Greywood	564.27.813
Chestnut	564.27.913

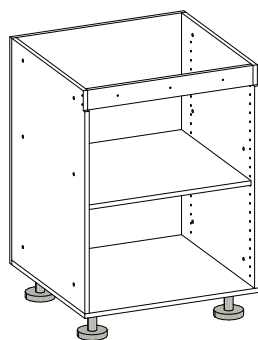
Packing: 1 Set (2 x Doors, 2 x Rails)



Note:

Only the Gas bottle cabinet to be used for a Gas bottle as it has specific venting to comply with Australian Standards.

CABINET WITH ADJUSTABLE SHELF



- > Material: White PVC foam filled carcass with white PVC edging
- > Dimensions (mm): 636 x 900 x 625 (WxHxD)

Cat. No.
561.05.915

Packing: 1 Piece

COMPACT LAMINATE DOORS AND RAIL TO SUIT CABINET WITH SHELF

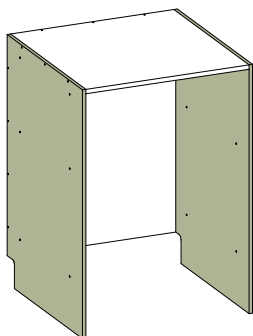
Colour	Cat. No.
Cloud	564.23.314
Vintage White	564.23.514
Brushed Metal	564.29.014
Midnight	564.29.513
Greywood	564.27.814
Chestnut	564.27.914

Packing: 1 Set (2 x Doors, 1 x Rail)



Note:
Do not use the Cabinet with shelf for a Gas bottle

FRIDGE CABINET



- > Material: White PVC foam filled back and top panel
- > Dimensions (mm): 636 x 900 x 625 (WxHxD)

Cat. No.
561.05.917

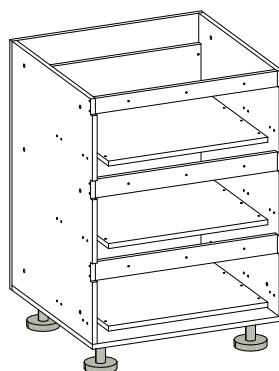
Packing: 1 Piece

COMPACT LAMINATE ENDS TO SUIT FRIDGE CABINET

Colour	Cat. No.
Cloud	564.23.316
Vintage White	564.23.516
Brushed Metal	564.29.019
Midnight	564.29.515
Greywood	564.27.816
Chestnut	564.27.916

Packing: 1 Set (2 x Ends)

3 DRAWER CABINET



- > Material: White PVC foam filled carcass with white PVC edging, PVC foam filled drawer bases and backs. Soft close drawers.
- > Dimensions (mm): 636 x 900 x 625 (WxHxD)

Cat. No.
561.05.916

Packing: 1 Piece

COMPACT LAMINATE DRAWER FRONTS AND RAILS TO SUIT 3 DRAWER CABINET

Colour	Cat. No.
Cloud	564.23.315
Vintage White	564.23.515
Brushed Metal	564.29.017
Midnight	564.29.514
Greywood	564.27.815
Chestnut	564.27.915

Packing: 1 Set (3 x Drawer Fronts, 3 x Rails)

GRANITE BENCHTOP SET

FOR BBQ CABINET

BLACK PEARL

Description	Size W x D x T (mm)	Qty	Cat. No.
Granite benchtop	1185 x 640 x 20	1	564.05.851
Granite side upstand	250 x 640 x 20	2	
Granite back upstand	270 x 1145 x 20	1	

Packing: 1 Set (4 Pieces)

STEEL GREY

Description	Size W x D x T (mm)	Qty	Cat. No.
Granite benchtop	1185 x 640 x 20	1	564.05.881
Granite side upstand	250 x 640 x 20	2	
Granite back upstand	270 x 1145 x 20	1	

Packing: 1 Set (4 Pieces)

GRANITE BENCHTOP

FOR 1 X CABINET

BLACK PEARL

Description	Size W x D x T (mm)	Cat. No.
Granite benchtop	679 x 640 x 20	564.05.821
Granite benchtop with sink cut-out & tap hole	679 x 640 x 20	564.08.016

Packing: 1 Piece

STEEL GREY

Description	Size W x D x T (mm)	Cat. No.
Granite benchtop	679 x 640 x 20	564.08.150
Granite benchtop with sink cut-out & tap hole	679 x 640 x 20	564.08.072

Packing: 1 Piece

GRANITE BENCHTOP

FOR 2 X CABINETS

BLACK PEARL

Description	Size W x D x T (mm)	Cat. No.
Granite benchtop	1315 x 640 x 20	564.05.831
Granite benchtop with left hand sink cut-out & tap hole	1315 x 640 x 20	564.08.017
Granite benchtop with right hand sink cut-out & tap hole	1315 x 640 x 20	564.08.018

Packing: 1 Piece

STEEL GREY

Description	Size W x D x T (mm)	Cat. No.
Granite benchtop	1315 x 640 x 20	564.08.153
Granite benchtop with left hand sink cut-out & tap hole	1315 x 640 x 20	564.08.073
Granite benchtop with right hand sink cut-out & tap hole	1315 x 640 x 20	564.08.075

Packing: 1 Piece

GRANITE BENCHTOP

FOR 3 X CABINETS

BLACK PEARL

Description	Size W x D x T (mm)	Cat. No.
Granite benchtop	1951 x 640 x 20	564.05.841
Granite benchtop with left hand sink cut-out & tap hole	1951 x 640 x 20	564.08.061
Granite benchtop with right hand sink cut-out & tap hole	1951 x 640 x 20	564.08.063

Packing: 1 Piece

STEEL GREY

Description	Size W x D x T (mm)	Cat. No.
Granite benchtop	1951 x 640 x 20	564.08.155
Granite benchtop with left hand sink cut-out & tap hole	1951 x 640 x 20	564.08.082
Granite benchtop with right hand sink cut-out & tap hole	1951 x 640 x 20	564.08.083

Packing: 1 Piece

GRANITE SLAB ENDS**BLACK PEARL**

Size H x D x T (mm)	Cat. No.
900 x 640 x 20	564.05.801

Packing: 1 Piece

STEEL GREY

Size H x D x T (mm)	Cat. No.
900 x 640 x 20	564.08.045

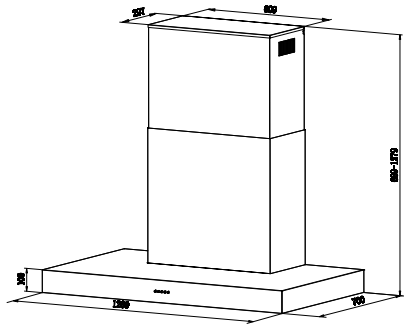
Packing: 1 Piece

COMPACT LAMINATE KICKBOARD**BRUSHED METAL**

Size W x H (mm)	Suits	Cat. No.
636 x 100	1 x Cabinet	564.25.912
1190 x 100	1 x BBQ Cabinet	564.25.913
1272 x 100	2 x Cabinets	564.25.914
1908 x 100	3 x Cabinets	564.25.915

Packing: 1 Piece

120 CM OUTDOOR BOX CANOPY RANGEHOOD 6 BURNER BARBEQUE

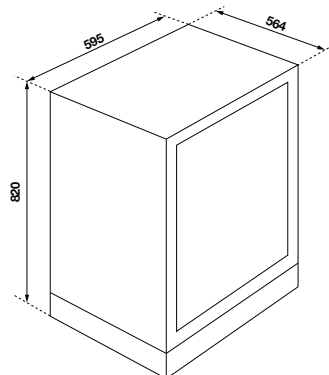
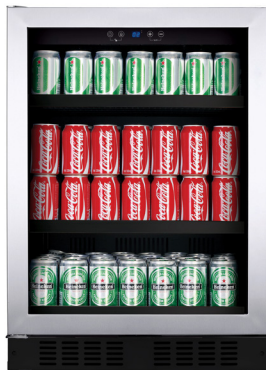


- > Features:
- Stainless Steel 304
 - Airflow 2000 m³/hr
 - 6 Adjustable LED lights
 - 3 speed push button control

Cat. No.
539.80.159

Packing: 1 Piece

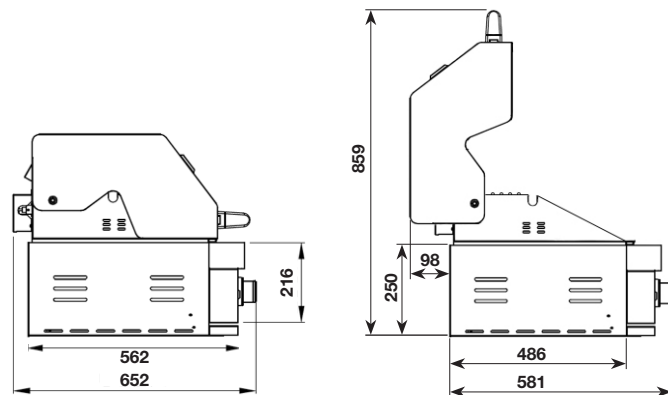
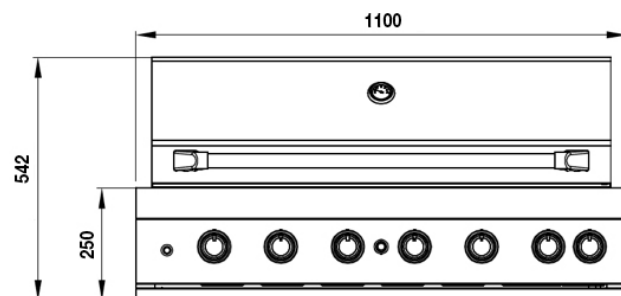
60CM OUTDOOR BEVERAGE FRIDGE



- > Features:
- 304 Stainless Steel with glass
 - Triple glazed heated glass door to prevent fogging.
 - Single Zone, 178 can (330ml) capacity
 - IPX4 outdoor rating

Cat. No.
539.10.000

Packing: 1 Piece



- > Features:
- Stainless Steel 304
 - 6 Burners + 1 Rear Infrared burner
 - Gas Type: LPG / Propane, Natural gas conversion kit supplied with product.
 - 2x 290 mm Stainless Steel grill plates,
 - 1x 350 mm Solid cast plate
 - Warming rack
 - Internal 12V lights
 - White LED knob lights
 - Barbeque Cover
 - Thermostat in double skin hood
 - Self supporting or bracket mount

Cat. No.
539.60.319

Packing: 1 Piece

SQUARELINE SINK BOWL SINK



- > Features: 12 mm Internal radius
Single bowl
Round plug in waste with strainer
- > Dimensions (mm): 440 x 380 x 200 (W x D x H)
- > Material: 18/10 Stainless steel brushed finish
- > Mounting: Lay on

	Cat. No.
	567.24.117

Packing: 1 Piece

MIXER TAP GOOSENECK WITH PULL - OUT VEGGIE SPRAY



- | | |
|-----------------------|-----------------|
| > Material: | Stainless Steel |
|-----------------------|-----------------|

	Cat. No.
	569.41.030

Packing: 1 Piece

CLEANING AGENT

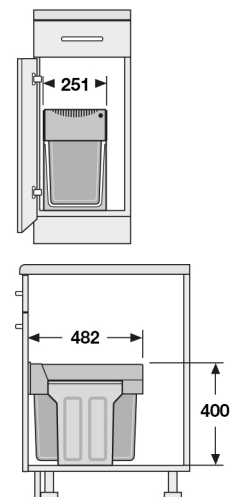


- > Features: Base mounted, under sink pull-out unit.
All plastic elements are detachable for easy cleaning and are dishwasher safe.
One piece base with streamlined wire surround.
Single bowl.
- > Material: Steel frame and runner, steel and plastic modular elements.
- > Finish: Grey powder-coated frame, runner and modular elements, grey modular elements.
- > Dimensions (mm): 298 x 480 x 480 (W x D x H)
- > Load Capacity (kg): 12
- > Extension length (mm): 440

	Cat. No.
	549.24.912

Packing: 1 Piece

TANDEM 30 2 X 15 LITRE CAPACITY



- > Material: Bin holder mounting components and runners: steel
Lid and pails: Plastic
- > For carcass width: 300 mm
- > Colour: Grey plastic-coated frame, dark grey plastic pails and lid
- > Features: Designed to be withdrawn from the cabinet whilst the lid lifts and remains in the cabinet
The frame incorporates its own runners and is secured to the carcass base

	Capacity (Litres)	Cat. No.
Tandem 30	30 (2 x 15)	502.70.252

Packing: 1 Piece

PLANNING AND INSTALLATION

When planning your Alfresco Kitchen the following points need to be considered.

- > The positioning of the Alfresco Kitchen must be undercover. Avoid, direct sunlight and weather. The materials used are resistant to weather but prolonged exposure to the weather will cause permanent damage.
- > Our Alfresco Kitchen has compact laminate door and drawer fronts, granite tops and granite slab ends so if the Alfresco Kitchen will be installed on an elevated deck or balcony the integrity and load capacity of the structure is paramount. For example the Barbeque Cabinet with a 6 Burner Barbeque is approximately 300 Kg per M2. Engage a Qualified Trades person or Engineer to ensure the structure can hold this additional weight.
- > If the Alfresco Kitchen will backing to a wall the wall material must be non-combustible, i.e. Cement Sheet (Blue board), Masonry/Brick....
- > Plan any outdoor power outlets and have installed prior to your Alfresco Kitchen Installation, particularly if a Beverage Fridge or Outdoor Canopy will be installed, or your Barbeque Rotisserie comes with a 240 volt motor.
- > When it comes to the actual Alfresco Kitchen the starting point is the 3 Door Barbeque Cabinet which requires a Gas Bottle Cabinet located next to this either left or right side. Please note the maximum number of cabinets either left or right side of the Barbeque Cabinet is 3, as the longest granite top is 1951mm which covers 3 cabinets. Any additional cabinets in the run will show joins between the granite tops that would require sealing with appropriate silicone.
- > The Barbeque Cabinet area for a Barbeque is a specific size which is detailed in this brochure. When selecting your barbeque, check the specifications in particular the depth required when the barbeque hood is open to ensure the barbeque fits. Most barbeques are either self-supporting via feet and / or mounting brackets that are fitted to the barbeque sides and sit on the granite top. Either option needs to be checked so the barbeque when installed is stable and the feet or mounting brackets are within the granite front edge.

CARE & MAINTENANCE

Compact laminate doors and drawer fronts are stain and wear resistant and will remain looking new by simply wiping with a soft cloth moistened with plain water. Mild detergent can be added to plain water for spills. Avoid excessive water on laminate.

Granite tops and slab ends require little maintenance and the same care for compact laminate can be applied to granite surfaces.

WARRANTY

Cucina Aperto Alfresco Kitchen comes with a 7 year warranty.

HÄFELE

732.04.591 ALFRESCO KITCHEN - 01.2018

Häfele Australia Pty. Ltd. | 8 Monterey Road | Dandenong | Victoria 3175
Phone: 1300 659 728 | **Fax:** (03) 9212 2001 | **Email:** info@hafele.com.au | www.hafele.com.au

Häfele New Zealand Ltd. | 16 Accent Drive | East Tamaki | Auckland 2013
Phone: 0800 442 335 | **Email:** info@hafele.co.nz | www.hafele.co.nz

HÄFELE LOCATIONS:

Australia | MELBOURNE | SYDNEY | NEWCASTLE | BRISBANE | ADELAIDE | LAUNCESTON | HOBART | PERTH
New Zealand | AUCKLAND | WELLINGTON | CHRISTCHURCH